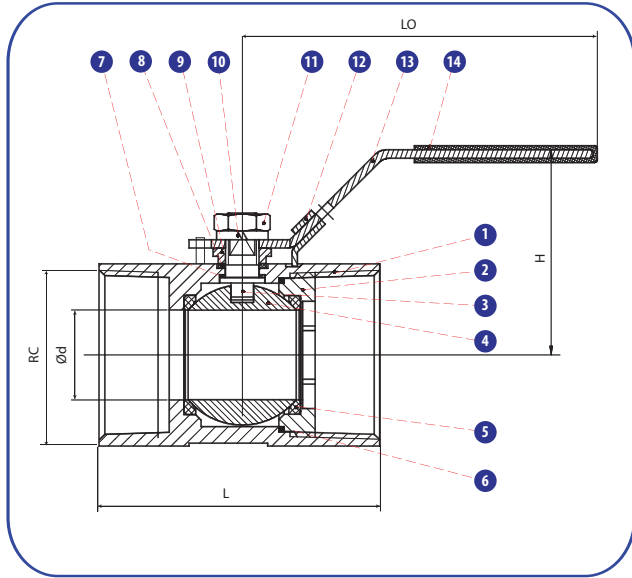




# SERIES 61 BALL VALVES

## 1 PIECE SCREWED - LEVER OPERATOR

### DN8-DN50



#### MATERIALS OF CONSTRUCTION

PART	MATERIAL
1 Body	CF8M
2 Cap	CF8M
3 Stem	SS316
4 Ball	CF8M
5 Seat	PTFE
6 Joint Gasket	PTFE
7 Thrust Washer	PTFE
8 Stem Packing	PTFE
9 Washer	SS304
10 Spring Washer	SS304
11 Nut	SS304
12 Locking Device	SS304
13 Handle	SS304
14 Handle Sleeve	Plastic

#### DIMENSIONS

Valve	L (mm)	LO (mm)	Ød (mm)	H (mm)	Kg
8	39.4	67.0	5.0	29.9	0.10
10	43.7	67.0	7.0	31.5	0.15
15	57.0	93.0	9.2	39.4	0.20
20	58.5	93.0	12.6	44.0	0.25
25	71.0	101	16.0	54.0	0.30
32	78.0	101	20.0	59.0	0.60
40	82.5	125	25.0	67.5	0.80
50	100	125	32.0	73.5	1.40

Note 1: Specifications contained in this document are subject to change.  
 Note 2: For precise specifications and dimensions contact KDV to obtain a general assembly drawing.

#### FEATURES & BENEFITS

- High performance, low cost isolating valve
- Rugged design
- Blow out proof stem design
- Quarter turn on/off operation
- Low torque
- Long cycle life

#### OPTIONS

- Locking device

#### PRESSURE

- Up to 800 PSI

#### CONNECTIONS

- BSPP
- NPT

#### APPLICATIONS

- General Industry
- Food & Beverage
- Plant services
- Water
- Air

#### FAST TRACK

In house manufacture and stock holdings allow KDV to deliver quickly, and reliably facilitate fast-track projects.

Visit our website for information on the full range of KDV Industrial Valves

[www.kdvflow.com](http://www.kdvflow.com)

[www.kdvflow.com](http://www.kdvflow.com)

The information above is for general guidance only. Kim Diaphragm Valves Pty. Ltd. reserves the right to change specifications without notice. KDV, Kim Diaphragm Valves and Logo are Trade Marks and Registered Trade Marks. Hyplast and Viton are Registered Trade Marks of El DuPont De Nemours and Company. © Copyright 6/2012, Kim Valves Australia Pty. Ltd.

HEAD OFFICE - AUSTRALIA  
 16-18 Overseas Drive,  
 Noble Park, Vic  
 Australia, 3174  
 Tel: +61 3 8793 4000  
 Email: [info@kdvflow.com](mailto:info@kdvflow.com)  
[www.kdvflow.com](http://www.kdvflow.com)

KDV (THAILAND) CO. LTD  
 111/2 Moo.3, Tambol Krathun Lom  
 Amphur Samphan,  
 Nakornpathom 73220  
 Tel: +66 2 420 3848  
 Email: [info@kdv.co.th](mailto:info@kdv.co.th)  
[www.kdv.co.th](http://www.kdv.co.th)

KDV CHINA  
 Xiaozhan Development Area  
 Jinan  
 Tianjin City  
 China  
 Email: [info@kdvflow.com](mailto:info@kdvflow.com)  
[www.kdvflow.com](http://www.kdvflow.com)

USA  
 KDV LLC  
 Suite 105  
 2785 Clairmont Road N.E  
 Atlanta, Georgia 30329  
[www.kdvflow.com](http://www.kdvflow.com)