

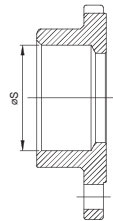
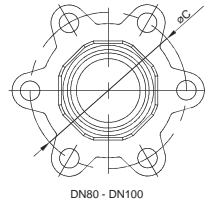
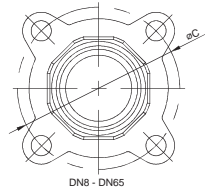
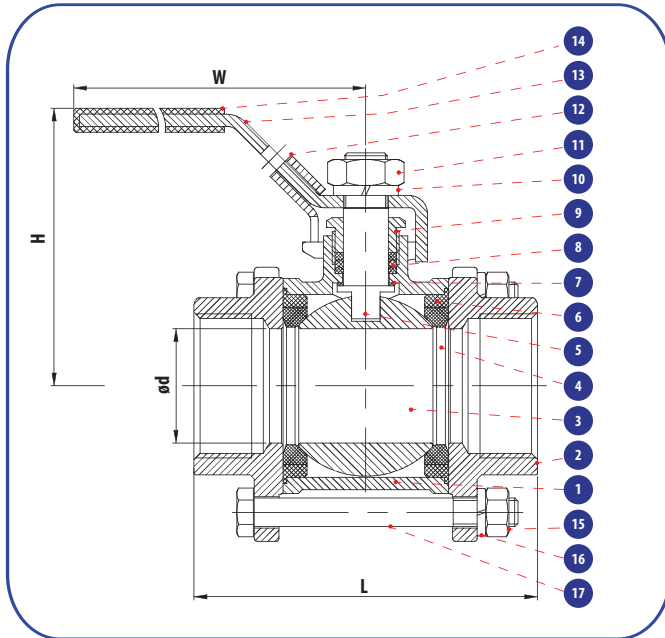


# SERIES 63 BALL VALVES

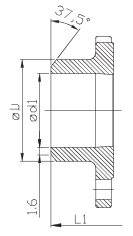
## 3 PIECE SCREWED/BUTT WLD/SOCKET WLD

### DN8-DN100

(Larger sizes available on request)



SOCKET WELD TYPE



BUTT WELD TYPE

PIPE THREAD:  
NPT, BSPT, DIN259, DIN2999, ISO 228 CLASS A

BUTT WELD END CAP:  
ISO1127, DIN2463, ANSI B36.19

BUTT WELD FACE TO FACE:  
DIN3202-S13

PART	MATERIAL
1 Body	WCB CF8 CF8M
2 Cap	WCB CF8 CF8M
3 Ball	WCB CF8 CF8M
4 Seat	PTFE
5 Stem	SS316
6 Gasket	PTFE
7 Thrust Washer	PTFE
8 Packing	PTFE
9 Gland	SS304
10 Spring Washer	SS304
11 Stem Nut	SS304
12 Locking Device	SS304
13 Handle	SS304
14 Plastic Cover	Plastic
15 Hex Nut	SS304
16 Bolt Washer	SS304
17 Joint Bolt	SS304

### FEATURES & BENEFITS

- High performance 3 piece split body design
- Investment casting body
- Full bore
- Blow out proof stem design
- Quarter turn on/off operation
- Low torque
- Long cycle life
- Rugged design

### OPTIONS

- Locking device
- Pneumatic & electric automation with accessories to suit

### PRESSURE

- DN8-DN50: 1000 PSI
- DN65-DN100: 800 PSI

### END CONNECTIONS

- Screwed (BSPP & NPT)
- Butt Weld
- Socket Weld

### APPLICATIONS

- General Industry
- Food & Beverage Plant Services
- Air
- Water
- Light Chemicals

### FAST TRACK

In house manufacture and stock holdings allow KDV to deliver quickly, and reliably facilitate fast-track projects.

Visit our website for information on the full range of KDV Industrial Valves

[www.kdvflow.com](http://www.kdvflow.com)

DN	d	d1	L	L1	H	W	C	S	D
8	11.6	10.0	58	70	54	102	37.5	14.1	17.0
10	12.7	12.5	58	70	54	102	37.5	17.6	17.0
15	15	16.0	63	75	62	123	45.5	21.7	21.3
20	20	20.0	73	90	66	123	52.5	27.1	26.7
25	25	25.0	85	100	77	153	57.5	33.8	33.6
32	32	33.8	96	110	80	153	71.5	42.6	42.4
40	38	39.5	114	125	91	183	79.0	48.7	48.0
50	50	50.8	134	150	98	183	97.0	61.1	60.5
65	65	62.7	180	190	138	246	124.5	76.9	76.1
80	80	77.9	200	220	149	246	149.0	89.8	88.9
100	100	100	228	270	175	246	180.6	115.5	114.2

[www.kdvflow.com](http://www.kdvflow.com)

The information above is for general guidance only. Kim Diaphragm Valves Pty. Ltd. reserves the right to change specifications without notice. KDV, Kim Diaphragm Valves and logo are Trade Marks and Registered Trade Marks. Hyplaton and Viton are Registered Trade Marks of El DuPont De Nemours and Company. © Copyright 6/2012, Kim Valves Australia Pty. Ltd.

HEAD OFFICE - AUSTRALIA  
16-18 Overseas Drive,  
Noble Park, Vic  
Australia, 3174  
Tel: +61 3 8793 4000  
Email: [info@kdvflow.com](mailto:info@kdvflow.com)  
[www.kdvflow.com](http://www.kdvflow.com)

KDV (THAILAND) CO. LTD  
111/2 Moo.3, Tambol Kraihun Lom  
Amphur Samphran,  
Nakornpathom 73220  
Tel: +66 2 420 3848  
Email: [info@kdv.co.th](mailto:info@kdv.co.th)  
[www.kdv.co.th](http://www.kdv.co.th)

KDV CHINA  
Xiaozhan Development Area  
Jinnan  
Tianjin City  
China  
Email: [info@kdvflow.com](mailto:info@kdvflow.com)  
[www.kdvflow.com](http://www.kdvflow.com)

USA  
KDV LLC  
Suite 105  
2785 Clairmont Road N.E.  
Atlanta, Georgia 30329  
[www.kdvflow.com](http://www.kdvflow.com)