



SERIES 37 DIAPHRAGM VALVES STRAIGHT THROUGH TYPE - UNLINED DN25 - DN200 RISING HAND WHEEL

FACE TO FACE: EN558-1 SERIES 1 (DIN3202 F-1)



KDV's range of bi directional Straight Through Type diaphragm valves offer exceptional durability and reliability. The clean design completely isolates line media from the mechanical components of the valve. Bubble tight shutoff (Class VI) and in-line serviceability (top entry) maximise plant efficiency and productivity.

KDV Straight Through Type diaphragm valves are suited to on-off and control applications and can be custom specified to suit a wide variety of applications.

Contact your KDV technical sales representative to ascertain the correct valve and lining options for your specific application.

Designed & Manufactured by KDV

KDV Diaphragm valves are manufactured to international standards. Precision machining and strict quality control ensure consistency, reliability and durability.

COMMON APPLICATIONS

- Slurries
- Water and waste water
- Organic sludge
- Effluent treatment
- Lime solutions
- Cement
- Ceramics
- Sugar
- Mineral Sands
- Mining/Minerals Processing

FEATURES & BENEFITS

- Bubble-tight shutoff
- Easy/low maintenance
- Readily available spare parts
- In-line serviceable (top entry)
- Cavity free design
- Position indicator
- Excellent control characteristics
- Low fugitive emissions
- No stem seal leakage
- Line media isolated from valve mechanicals
- Tamper proof over closure protection

OPERATOR OPTIONS

- Lockable device (for isolation)
- Sealed bonnet
- Extension spindle
- Chain wheel

AUTOMATION SYSTEMS

- Pneumatic (fail open, fail closed, double acting)
- Electric
- Hydraulic

OPTIONS

- Range of body materials
- Specialty coatings to suit a variety of environmental requirements
- Internal linings and coatings
- Range of bonnet materials

FAST TRACK

In house manufacture and stock holdings allow KDV to deliver quickly, and reliably facilitate fast-track projects. Visit our website for information on the full range of KDV Diaphragm Valves.

www.kdvflow.com

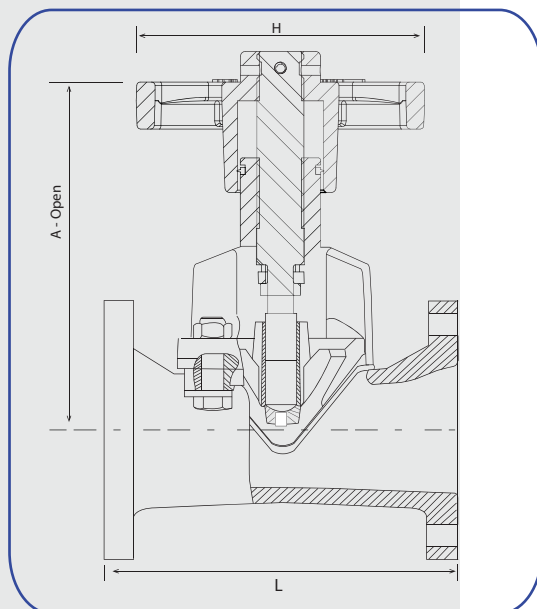
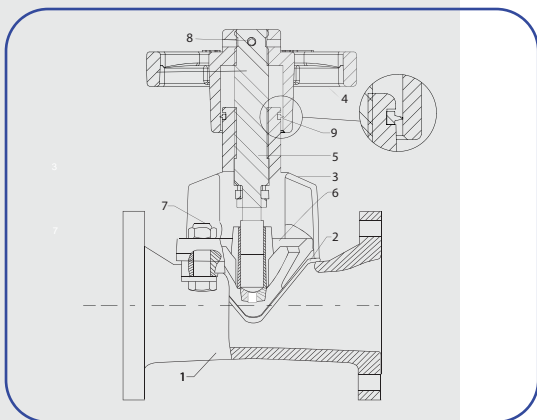


Kim Diaphragm Valves™

Corrosion and Abrasion Resistant Flow Control

SERIES 37 DIAPHRAGM VALVES STRAIGHT THROUGH TYPE - UNLINED

DN25 - DN200 RISING HAND WHEEL



MATERIALS OF CONSTRUCTION

PART	MATERIAL
1 Body	Cast Iron, Cast Ductile Iron
2 Diaphragm	See below ¹
3 Bonnet Shell	Cast Iron, Ductile Iron
4 Hand Wheel	Cast Iron, Ductile Iron
5 Spindle	SS304
6 Compressor	Cast Iron, Ductile Iron
7 Fasteners	ISO Grade 8.8
8 Hand Wheel Pin	Mild Steel
9 Environmental Seal*	EPDM Wiper Seal

*Environmental seal bonnet not available on all bonnet sizes. Ask your KDV sales representative for more information.

DIMENSIONS & WEIGHTS FACE TO FACE: EN558-1 SERIES 1 (DIN3202 F-1)

Valve	L	A	H	Weight (kg)
DN25	160	149	124	4.6
DN32	180	147	124	7.5
DN40	200	151	124	7.3
DN50	230	188	170	9.2
DN65	290	262	240	18.5
DN80	310	270	225	21.9
DN100	350	298	225	31.0
DN125	400	419	368	48.5
DN150	480	405	355	65.3
DN200	600	415	368	118.0

PRESSURE RATING

Valve	Valve
DN25-DN100	10 Bar
DN125-DN150	6 Bar
DN200	5 Bar

DIAPHRAGM MATERIALS ¹

- 10 - Natural rubber (NR)
- 20 - EPDM rubber
- 30 - Butyl rubber (IIR)
- 40 - Nitrile rubber (NBR)
- 50 - Neoprene rubber (CR)
- 60 - Hypalon rubber (CSM)
- 70 - Viton rubber (FKM/FPM)

NB: Vacuum grade diaphragms available on request

MATERIAL SPECIFICATIONS

- Cast Iron (ASTM A126 Gr CI B)
- Cast Ductile Iron (ASTM A395 Gr 60-40-18)
- Carbon Steel (ASTM A216 Gr WCB)
- Stainless Steel (ASTM A351 Gr CF8, CF8M, CF3, CF3M)

FLANGE DRILLING STANDARDS

- ANSI B16.5 Class 125 & 150
- EN1092 (PN10/16) (BS4504)
- AS2129-2000 Table D/E (BS10 1962)
- JIS B2220

DESIGN STANDARDS

- EN13397-2001 (BS5156:1985)
- MSS SP88-1993-(R-01)

FACE TO FACE STANDARDS

- EN558-1 Series 7(BS5156)
- EN558-1 Series 1(DIN3202-F1)
- MSS SP88-1993-(R-01)

TESTING STANDARDS

- EN12266-1 2002(BS6755 Part 1)
- MSS SP88-1993-(R-01)

LINING/COATING OPTIONS

- Rubber
- ECTFE (Halar®)
- Plastic
- Rilsan
- Glass
- FBE

Note 1: Specifications contained in this document are subject to change.
Note 2: For precise specifications and dimensions contact KDV to obtain a general assembly drawing.

www.kdvflow.com

The information above is for general guidance only. Kim Diaphragm Valves Pty. Ltd. reserves the right to change specifications without notice. KDV, Kim Diaphragm Valves and logo are Trade Marks and Registered Trade Marks. Hypalon and Viton are Registered Trade Marks of El Dupont De Nemours and Company. © Copyright ©2012, Kim Valves Australia Pty. Ltd.

HEAD OFFICE - AUSTRALIA
16-18 Overseas Drive,
Noble Park, Vic
Australia, 3174
Tel: +61 3 8793 4000
Email: info@kdvflow.com
www.kdvflow.com

KDV (THAILAND) CO. LTD
111/2 Moo.3, Tambol Krathun Lam
Amphur Samphan,
Nakornpathom 73220
Tel: +66 2 420 3848
Email: info@kdv.co.th
www.kdv.co.th

KDV CHINA
Xiaozhan Development Area
Jinnan
Tianjin City
China
Email: info@kdvflow.com
www.kdvflow.com

USA
KDV LLC
Suite 105
2785 Clairmont Road N.E
Atlanta, Georgia 30329
www.kdvflow.com