



PLASTIC LINED BALL VALVES DN15-DN200



KDVs PFA Lined Ball Valves are engineered for performance, reliability and safety. Internal features include 3mm(+) PFA lining, PTFE seat seals for tight shut off, chevron cap and cone stem packing for stem sealing integrity and a dovetail groove to lock the lining in place.

The body is protected with a chlorine free resin surface primer and enamel top coat. Options include: body & lining materials and electric/pneumatic actuation.

Designed & Manufactured by KDV Australia

Our Ball Valves are manufactured to international standards. Precision machining and strict quality control ensure consistency, reliability and durability.

Contact your KDV technical sales representative to ascertain the correct valve and lining options for your specific application.

COMMON APPLICATIONS

- Organic & Inorganic Chemicals
- Alkali's & Chlorine
- Fertilizers
- Pharmaceutical
- Petroleum
- Metal & Mineral processing
- Pulp, Paper & Wood
- Water treatment
- Sulphur recovery
- Food & Beverage

FAST TRACK

In house manufacture and stock holdings allow KDV to deliver quickly, and reliably facilitate fast-track projects.

Visit our website for information on the full range of KDV Industrial Valves.

www.kdvflow.com

FEATURES & BENEFITS

- Robust construction
- Full bore design
- Integral ball and stem
- Split body allows easy maintenance
- Chevron cap & cone packing
- PTFE seat seals
- Dovetail lining lock
- Stainless steel fasteners

OPERATOR OPTIONS

- Lever
- Gear Box
- Actuator

AUTOMATION SYSTEMS

- Pneumatic (double acting, spring return)
- Electric

FLANGE DRILLING

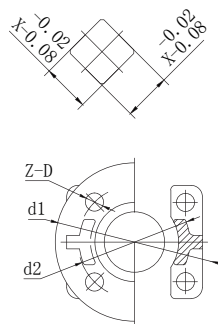
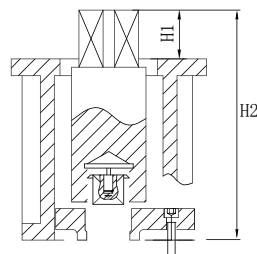
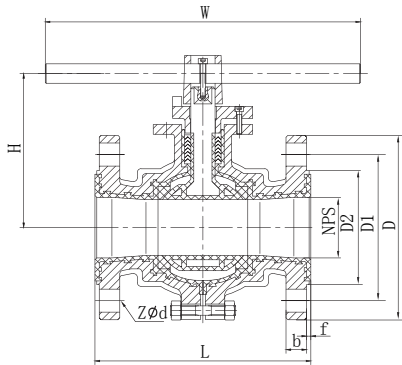
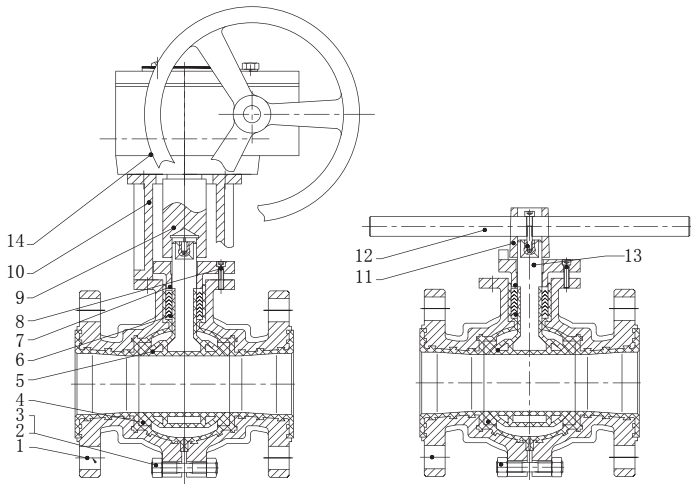
- ANSI B16.5 Class 125 & 150
- EN1092 (PN10/16) (BS4504)
- JIS B2220



Corrosion & Abrasion Resistant Flow Control

©Kim Diaphragm Valves Pty Ltd 2015 www.kdvflow.com

PLASTIC LINED BALL VALVES DN15-DN200



MATERIALS OF CONSTRUCTION

| | | | | | |
|---|-----------|-------------------------------|----|-------------|--------------|
| 1 | Body | A216 WCB+PFA*, A351 CF8/+PFA* | 8 | Bolt | SS304 |
| 2 | Stud | SS304 | 9 | Bolt | SS304 |
| 3 | Nut | SS304 | 10 | Yoke | A216 WCB |
| 4 | Seat | PTFE | 11 | Handle Seat | A216 WCB |
| 5 | Ball/Stem | A351 CF8+PFA** | 12 | Lever | 1025 |
| 6 | Packing | PTFE | 13 | Stem | A351 CF8+PFA |
| 7 | Gland | A216 WCB | 14 | Worm Gear | |

*Stocked item. Body/Lining also available to order in the following combinations:
A216 WCB+PTFE/PEP, A351 CF8+PTFE/PEP, A351 CF8M+PFA/PTFE/PEP
**Stocked item. Ball/Stem also available in the following combinations:
A351 CF8+PTFE/PEP, A351 CF8M+PFA/PTFE/PEP, A351 CF3+PFA/PTFE/PEP, A351 CF3M+PFA/PTFE/PEP

Notes:
1. 1 piece ball & stem
2. Locked lining suitable for vacuum
3. Epoxy coated for external corrosion protection

DN15-DN100 (Lever) Face to Face ASME B16.10

| Valve | L | D | D1 | D2 | f | Z-Ød | H |
|-------|-----|-----|-------|-----|-----|-------|-----|
| DN15 | 110 | 89 | 60.5 | 35 | 3.0 | 4-Ø16 | 90 |
| DN20 | 117 | 98 | 70.0 | 43 | 3.0 | 4-Ø16 | 90 |
| DN25 | 127 | 108 | 79.5 | 51 | 3.0 | 4-Ø16 | 100 |
| DN32 | 140 | 117 | 89.0 | 64 | 3.5 | 4-Ø16 | 110 |
| DN40 | 165 | 127 | 98.5 | 73 | 3.5 | 4-Ø16 | 130 |
| DN50 | 178 | 152 | 120.5 | 92 | 3.5 | 4-Ø19 | 140 |
| DN65 | 190 | 178 | 139.5 | 105 | 3.5 | 4-Ø19 | 150 |
| DN80 | 203 | 190 | 152.5 | 127 | 3.5 | 4-Ø19 | 160 |
| DN100 | 229 | 229 | 190.5 | 157 | 4.0 | 8-Ø19 | 180 |

DN15-DN200 (Gearbox) Face to Face ASME B16.10

| Valve | L | H3 | D | D1 | D2 | f | Z-Ød |
|-------|-----|-----|-----|-------|-----|-----|-------|
| DN15 | 110 | 180 | 89 | 60.5 | 35 | 3.0 | 4-Ø16 |
| DN20 | 117 | 180 | 98 | 70.0 | 43 | 3.0 | 4-Ø16 |
| DN25 | 127 | 187 | 108 | 79.5 | 51 | 3.0 | 4-Ø16 |
| DN32 | 140 | 194 | 117 | 89.0 | 64 | 3.5 | 4-Ø16 |
| DN40 | 165 | 238 | 127 | 98.5 | 73 | 3.5 | 4-Ø16 |
| DN50 | 178 | 249 | 152 | 120.5 | 92 | 3.5 | 4-Ø19 |
| DN65 | 190 | 259 | 178 | 139.5 | 105 | 3.5 | 4-Ø19 |
| DN80 | 203 | 287 | 190 | 152.5 | 127 | 3.5 | 4-Ø19 |
| DN100 | 229 | 302 | 229 | 190.5 | 157 | 3.5 | 8-Ø19 |
| DN125 | 254 | 346 | 254 | 216.0 | 186 | 3.5 | 8-Ø22 |
| DN150 | 267 | 380 | 279 | 241.5 | 216 | 3.5 | 8-Ø22 |
| DN200 | 457 | 452 | 343 | 298.5 | 270 | 4.0 | 8-Ø22 |

DN40-DN400 (Bare Shaft) Face to Face ASME B16.10

| Valve | d1 | d2 | H1 | H2 | ISO | X | Z-D | Torque Nm |
|-------|-----|-----|----|-----|-----|----|------|-----------|
| DN15 | 70 | 50 | 16 | 82 | F05 | 14 | 4-8 | 12 |
| DN20 | 70 | 50 | 16 | 82 | F05 | 14 | 4-8 | 12 |
| DN25 | 70 | 50 | 16 | 82 | F05 | 14 | 4-8 | 20 |
| DN32 | 70 | 50 | 20 | 85 | F05 | 17 | 4-8 | 25 |
| DN40 | 90 | 70 | 20 | 90 | F07 | 17 | 4-10 | 45 |
| DN50 | 90 | 70 | 24 | 94 | F07 | 17 | 4-10 | 50 |
| DN65 | 90 | 70 | 24 | 94 | F07 | 17 | 4-10 | 65 |
| DN80 | 125 | 102 | 26 | 106 | F10 | 22 | 4-12 | 100 |
| DN100 | 125 | 102 | 26 | 106 | F10 | 22 | 4-12 | 130 |
| DN125 | 125 | 102 | 26 | 116 | F10 | 24 | 4-12 | 210 |
| DN150 | 150 | 125 | 40 | 130 | F12 | 27 | 4-14 | 300 |
| DN200 | 210 | 165 | 55 | 145 | F16 | 46 | 4-22 | 800 |

Note 1: Specifications contained in this document are subject to change.
Note 2: For precise specifications and dimensions contact KDV to obtain a general assembly drawing.

FLANGE DRILLING STANDARDS

- ANSI B16.5 Class 125 & 150
- EN1092 (PN10/16) (BS4504)
- JIS B2220

TESTING STANDARDS

- API 598

DESIGN STANDARDS

- API 6D
- HG/T3704