



PLASTIC LINED BUTTERFLY VALVE

DN40 - DN400 LEVER/GEARBOX/BARE SHAFT



KDV PFA/PTFE Lined Butterfly Valves offer high performance with corrosive line media and in harsh external environmental conditions.

Every component is designed to provide trouble free, safe service. Internal features include 3mm(+) lining, virgin PTFE seat seals for tight shut off, chevron cap and cone stem packing for stem sealing integrity and a dovetail groove to lock the lining in place.

Options available include: body & lining materials and electric/pneumatic actuation.

Contact your KDV technical sales representative to ascertain the correct valve and lining options for your specific application.

Designed & Manufactured by KDV Australia

KDV Butterfly Valves are manufactured by KDV to international standards. Precision machining and strict quality control ensure consistency, reliability and durability.

COMMON APPLICATIONS

- Organic & Inorganic Chemicals
- Alkali & Chlorine
- Fertilizers
- Pharmaceutical
- Petroleum
- Metal & Mineral Processing
- Pulp, Paper & Wood
- Water Treatment
- Sulphur Recovery
- Food & Beverage

FEATURES & BENEFITS

- Robust construction
- Split body allows easy maintenance
- Full bore design
- Chevron cap & cone packing
- Triple PTFE 'V' Ring packing
- Virgin PTFE seat seals
- Dovetail lining lock
- Stainless steel fasteners

OPERATOR OPTIONS

- Bare shaft
- Lever with notch plate (DN40-DN200)
- Gear Box (DN40-DN400)
- Actuator

AUTOMATION SYSTEMS

- Pneumatic (fail open, fail closed, double acting)
- Electric



FAST TRACK

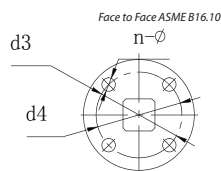
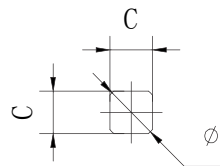
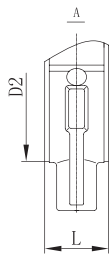
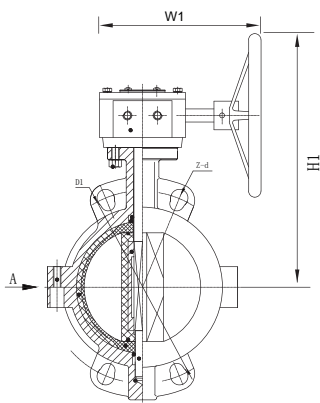
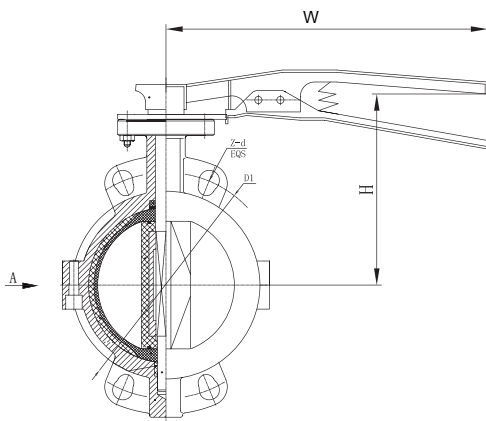
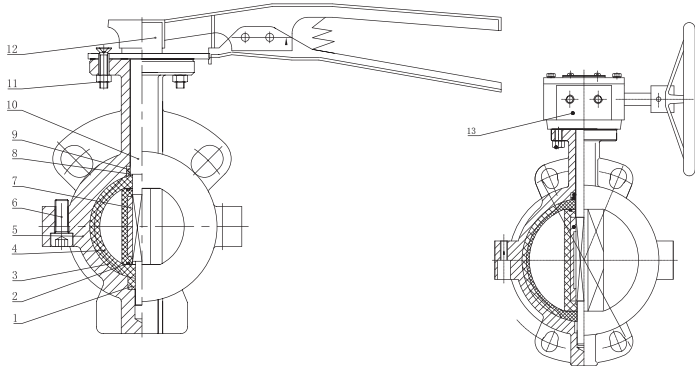
In house manufacture and stock holdings allow KDV to deliver quickly, and reliably facilitate fast-track projects.

Visit our website for information on the full range of KDV Industrial Valves

www.kdvflow.com



PLASTIC LINED BUTTERFLY VALVES DN40-DN400



MATERIALS OF CONSTRUCTION

1	Bushing	Viton, Silicone Rubber, PTFE	8	Gasket	PTFE
2	O-Ring	Viton	9	Bushing	Viton, Silicone Rubber, PTFE
3	Pad	Silicone Rubber	10	Stem	A276 SS420
4	Seat	PTFE	11	Bolt	SS304
5	Body	A216 WCB	12	Lever	1025
6	Hex Screw	SS304	13	Worm Gear	
7	Disc	A351 CF8+PFA	-		

*Not stocked, available to order

DN40-DN65 (Lever) ASME B16.10

	L	D1	D2	H	W	Z-D	Torque
DN40	40	98.5	70	127	230	4-16	25
DN50	43	120.5	90	149	230	4-19	25
DN65	46	139.5	100	162	230	4-19	35
DN80	46	152.5	130	181	260	4-19	45
DN100	52	190.5	148	188	260	8-19	100
DN125	56	216	181	188	260	8-22	120
DN150	56	241.5	202	226	350	8-22	160
DN200	60	298.5	263	275	350	8-22	200

DN40-DN400 (Gearbox) ASME B16.10

	L	D1	D2	H1	W1	Z-D	Torque
DN40	40	98.5	70	127	150	4-16	25
DN50	43	120.5	90	149	150	4-19	25
DN65	46	139.5	100	162	150	4-19	35
DN80	46	152.5	130	178	150	4-19	45
DN100	52	190.5	148	185	200	8-19	100
DN125	56	216	181	205	200	8-22	120
DN150	56	241.5	202	225	280	8-22	160
DN200	60	298.5	263	275	280	8-22	200
DN250	68	362	313	326	340	12-25	440
DN300	78	432	368	333	340	12-25	950
DN350	78	476	415	393	340	12-29	1850
DN400	102	540	484	438	340	16-29	1950

DN40-DN400 (Bare Shaft) ASME B16.10

	H2	C	d3	d4	n-Ø	Ø	Torque
DN40	9	9*9	70	50	4-8	12.5	25
DN50	9	9*9	70	50	4-8	12.5	25
DN65	11	11*11	90	70	4-10	14	35
DN80	11	11*11	90	70	4-10	14	45
DN100	11	11*11	90	70	4-10	14	100
DN125	15	14*14	90	70	4-10	18	120
DN150	15	14*14	90	70	4-10	18	160
DN200	17	17*17	138	102	4-12	22	200
DN250	22	22*22	138	102	4-12	28	440
DN300	22	22*22	138	102	4-12	28	950
DN350	27	27*27	210	165	4-22	36	1850
DN400	27	27*27	210	165	4-22	36	1950

FACE TO FACE STANDARDS

- ASME B16.10

FLANGE DIMENSIONS

- TABLE D/E
- ANSI 150
- DIN PN16

DESIGN STANDARD

- HG/T3704

TESTING STANDARDS

- API 598

Note 1: Specifications contained in this document are subject to change.

Note 2: For precise specifications and dimensions contact KDV to obtain a general assembly drawing.

www.kdvflow.com

The information above is for general guidance only. Kim Diaphragm Valves Pty. Ltd. reserves the right to change specifications without notice. KDV, Kim Diaphragm Valves and logo are Trade Marks and Registered Trade Marks. Hypalon and Viton are Registered Trade Marks of El Dupont De Nemours and Company. © Copyright 6/2012, Kim Valves Australia Pty. Ltd.

HEAD OFFICE - AUSTRALIA
16-18 Overseas Drive,
Noble Park, Vic
Australia, 3174
Tel: +61 3 8793 4000
Email: info@kdvflow.com
www.kdvflow.com

KDV (THAILAND) CO. LTD
111/2 Moo.3 Tambol Krathun Lom
Amphur Samphan,
Nakornpathom 73220
Tel: +66 2 420 3848
Email: info@kdv.co.th
www.kdv.co.th

KDV CHINA
Xiaozhan Development Area
Jinnan
Tianjin City
China
Email: info@kdvflow.com
www.kdvflow.com

USA
KDV LLC
Suite 105
2785 Clairmont Road N.E
Atlanta, Georgia 30329
www.kdvflow.com